

Product Specification

2216 LED strip light



Made by	Checked by	Date	Version
ILKER		18.12.2018	A0



Features & Photo:

Feature:

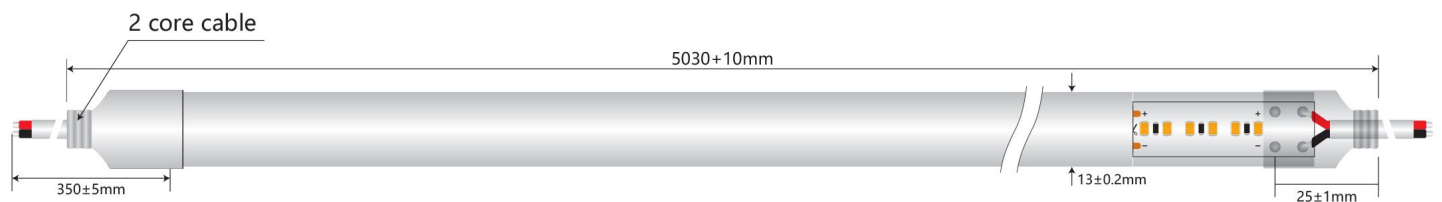
- DC 24V low-voltage power supply, security and energy efficiency
- High brightness low power consumption
- Led type: 2216 high brightness SMD led
- Led lighting angle: 120°
- Led quantity: 300 leds/m
- Operation temperature: -20-50°C
- Life time: 50,000hours
- Dimmable by using dimmer controller
- Water-proof rating: IP67

Photo:



Dimension

Front:



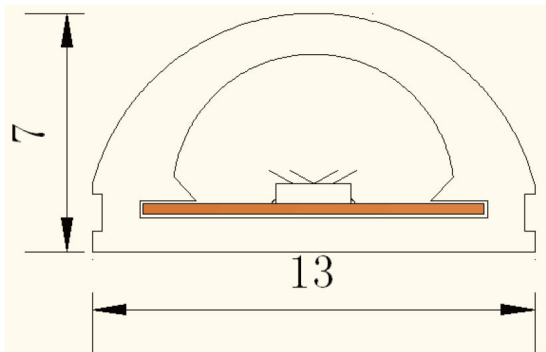
Dimension

Lateral:



Product Features

1. High color consistency,lighting uniform,without light spot.
2. Products can do long (10m \ 20m \ 30m) light (thick PCB board), to solve the other light production process can not do the length of light.
3. Products using one-piece extrusion process, production efficiency and production cycle has greatly improved, do not have to wait for the glue time, shorten the production cycle;
4. Product standard 2 * 0.75 square double insulated wire, the use of longer thickening plug, so that the waterproof rating to IP67.



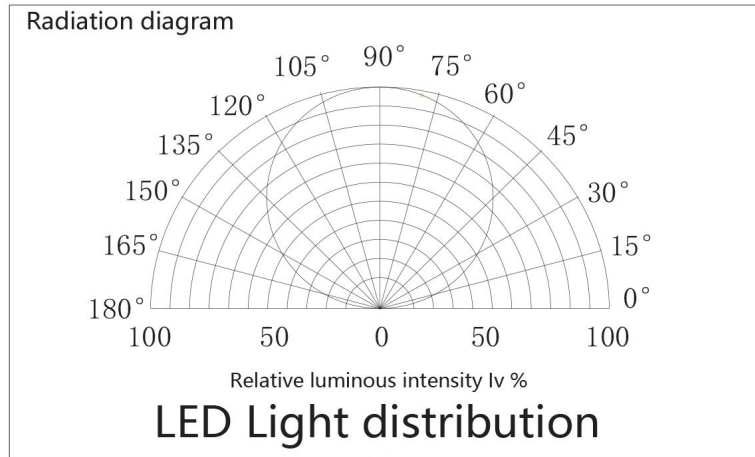
Hollow extruded arc

Parameter

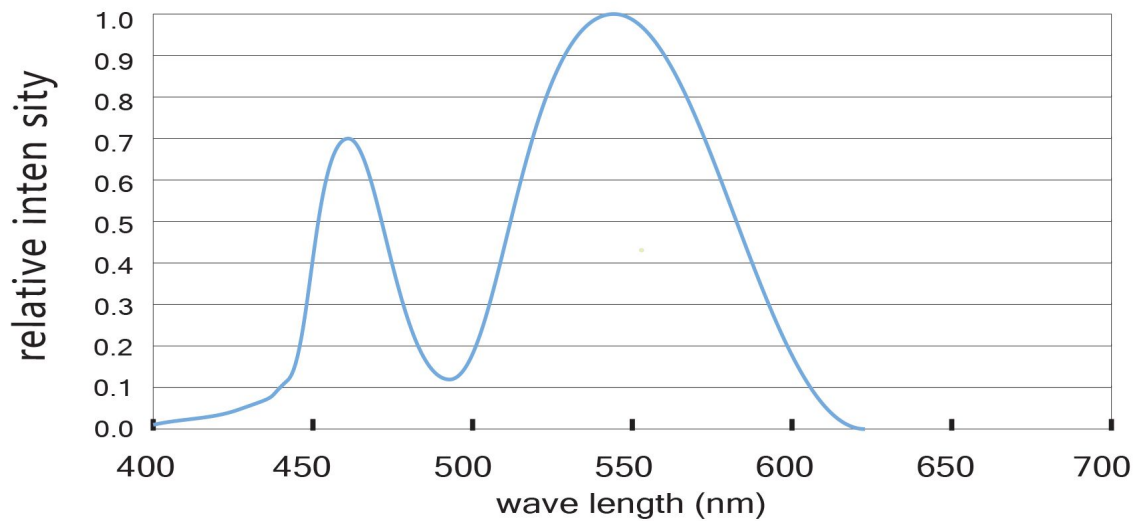
Hollow extruded arc: 2216 Hollow extruded arc SMD 300leds/m Dc 24V
 Hollow extruded arc: Waterproof Rating Ip67

Part-Number	Color	PCB width d ± 0.1mm	Power W±10%	Lumen(CRI>90) Φ ± 10%
	Warm White	10mm	18W/M	1285 lm
	White	10mm	18W/M	1540 lm

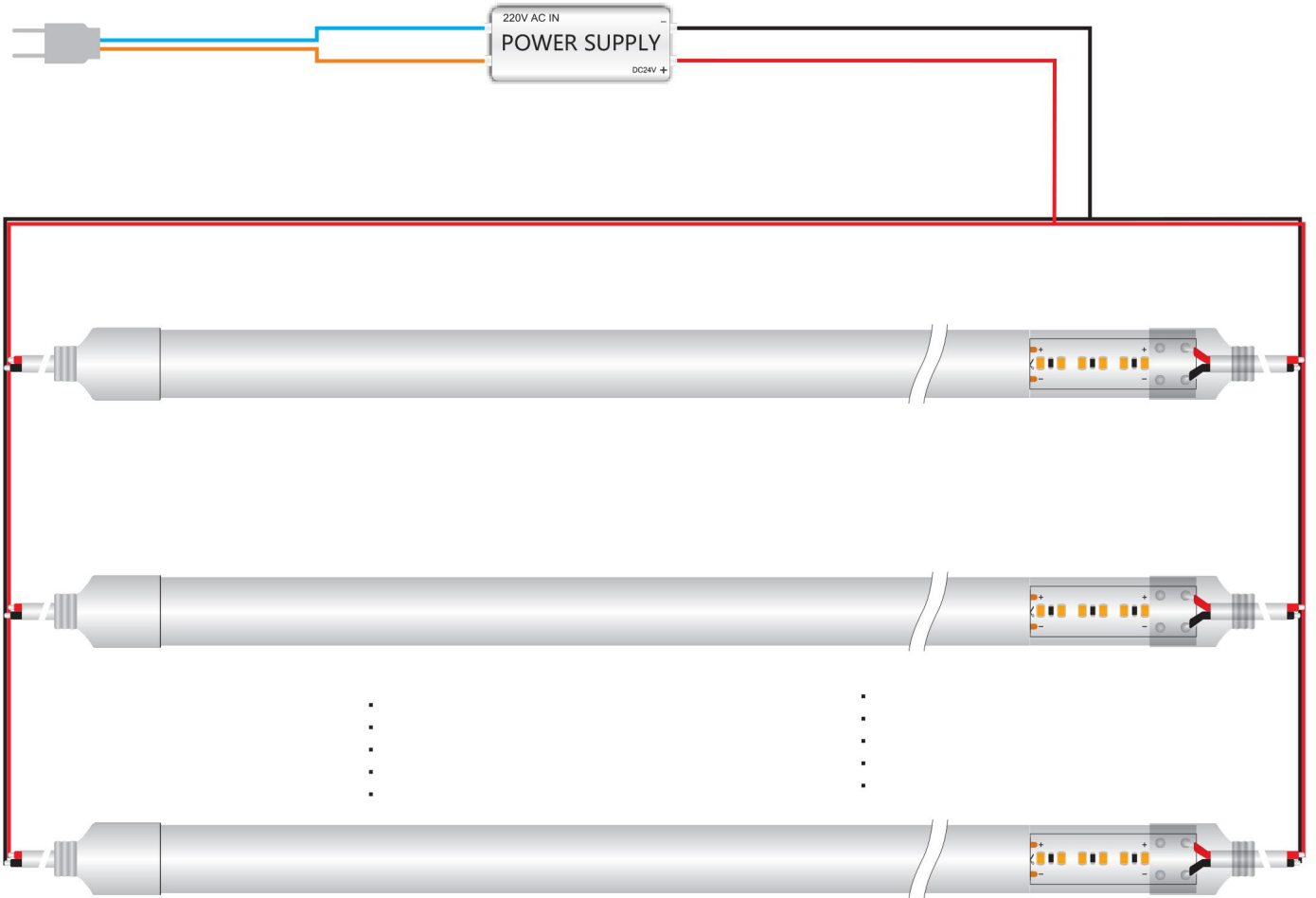
Light Distribution Curve



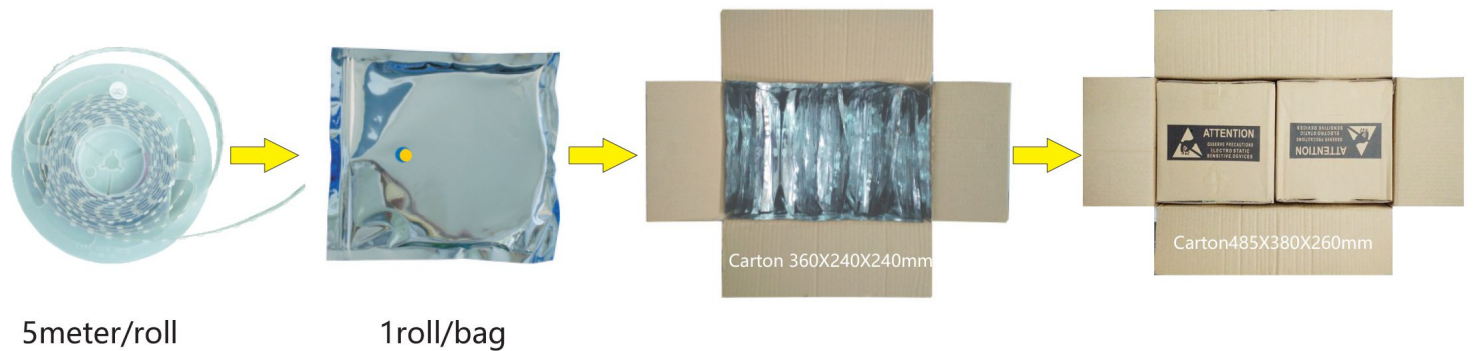
For: white LED



Connection Instruction



Packing



5meter/roll

1roll/bag

15bags/carton

One box with 2 inner boxes

Operation temperature:-20~50°C
 Storage temperature:-30~80°C
 Packing: 5meters led strip as one roll,
 one roll put into one bag,
 packed into one carton.