

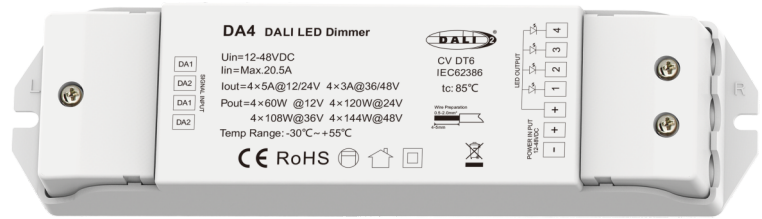
4 Channel Constant Voltage DALI LED Dimmer

Model No.: DA4

DT6/4 Address/4 Channel/Constant voltage/PWM dimming

Features

- 4 channel constant voltage DALI LED Dimmer.
- 4 DALI address, 4 channel work separately.
- DALI-2 certified, in accordance with DALI standard protocol IEC 62386-101, 102, 207 and in compliance with DALI products from other international incorporation.
- DALI address will be automatically assigned by DALI master.
- PWM digital dimming, standard DALI logarithmic dimming curve.
- Over-load / Short circuit protection, recover automatically.

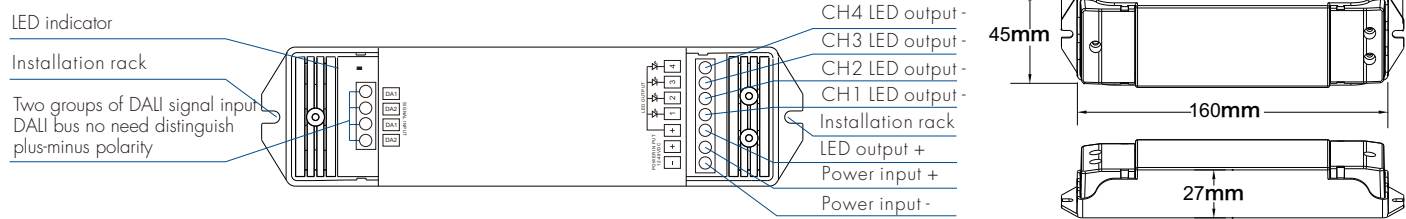


CE RoHS

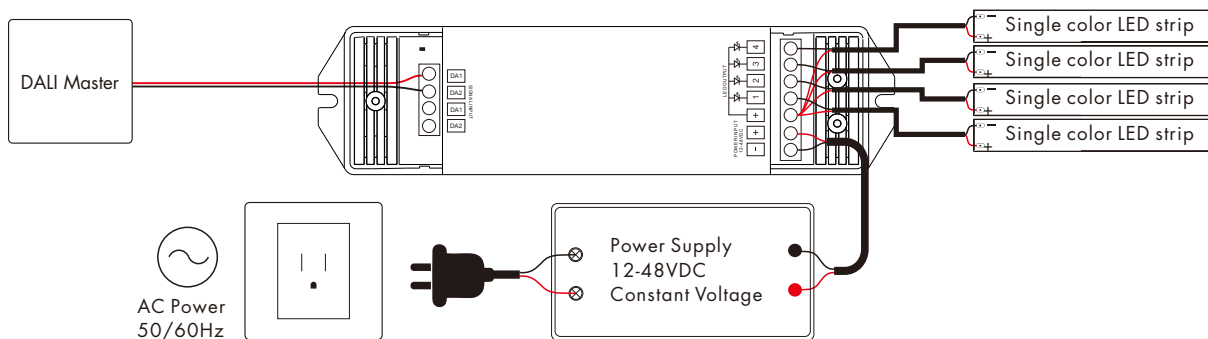
Technical Parameters

Input and Output		Dimming data		Safety and EMC	
Input voltage	12-48VDC	Input signal	DALI	Safety standard(LVD)	EN 62368-1:2020+A11:2020
Input current	20.5A	Dimming range	0-100%	Certification	DALI-2, CE, LVD
Output voltage	12-48VDC	Dimming curve	Logarithmic	Warranty	
Output current	4x5A@12/24V 4x3A@36/48V	PWM Frequency	2000Hz (default)	Warranty	5 years
Output power	4 x 60W @12V 4x120W@24V 4 x 108W@36V 4x144W@48V	Package		Environment	
Output type	Constant voltage	Size	L178x W150 x H38mm	Operation temperature	Ta: -30 °C ~ +55 °C
		Gross weight	0.132kg	Case temperature (Max.)	Ta: +85 °C

Mechanical Structures and Installations



Wiring Diagram



DALI control

This product is designed with 4 DALI address input and 4 channel output.

DALI address is assigned by DALI Master controller automatically, please refer to user manuals of compatible DALI Masters for specific operations.

Safety & Warnings

- DO NOT install with power applied to device.
- DO NOT expose the device to moisture.