

DATASHEET

LED I Ceiling

Square Ceiling Flush Light

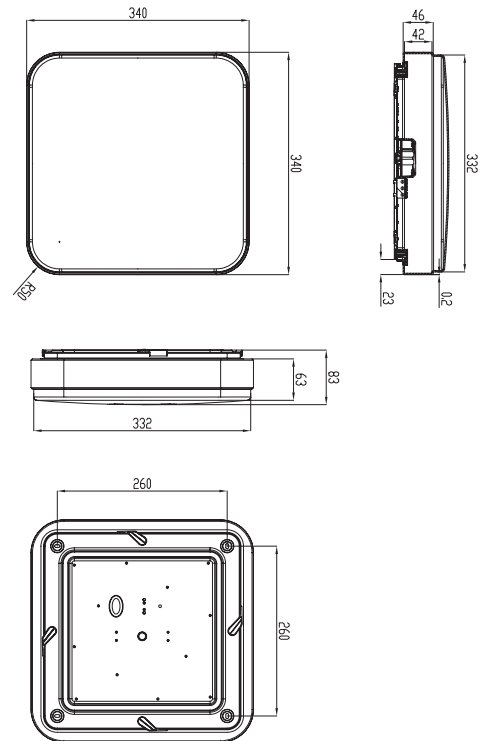


FUNCTION & PERFORMANCE

- | Equal light distribution
- | Uplighting at the back edges
- | Opal PMMA-cover with aluminium frame, silver RAL 9006
- | Easy one-hand fixing without tools
- | Lifetime 35.000 h (L70)
- | No UV or IR radiation

Input voltage: 220-240V ~ 50/60 Hz

Protection class: IP20



PRODUCT SPECIFICATIONS

Sales Code	Dimension	Performance	Replacement	Luminous Flux	Color Temperature	CRI	Beam Angle	Dimmable
FC22S34/830B120A	340 X 340 X 83 mm	22 W	40 W	1.350 lm	3.000 K	>80	120°	N
FC22S34/840B120A	340 X 340 X 83 mm	22 W	40 W	1.500 lm	4.000 K	>80	120°	N

Exclusive Brand Sales LED by AEG

İLKER ELEKTRONİK

Bankalar Cad. No: 3/B, 34420
Karaköy, İstanbul / Türkiye

T: +90 (212) 245 45 00
F: +90 (212) 244 32 19

mail@ilker.com.tr
www.ilker.com.tr

© LED by AEG İLKER ELEKTRONİK 2013

REV 1.1-01112013 - These specification may change without further notice
AEG is a registered trademark used under licence from Ab Electrolux (publ)