

Non water proof series

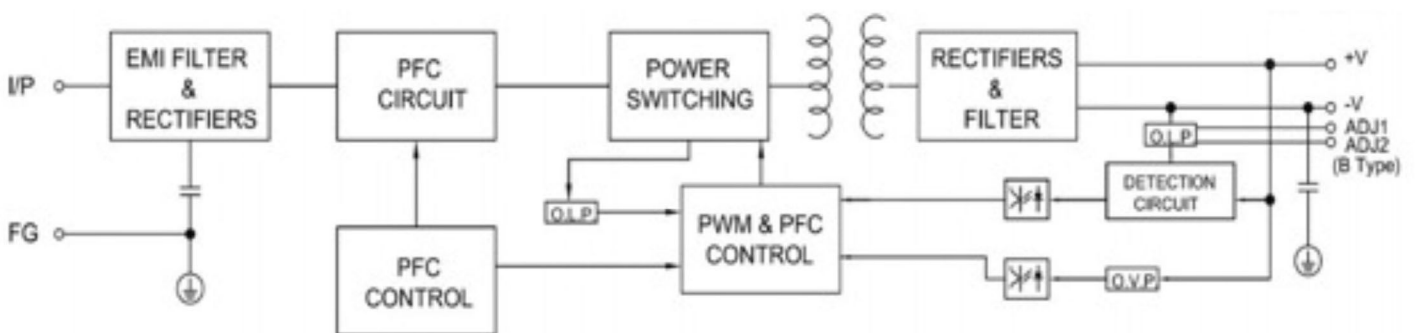
120W 12V Constant Voltage LED Power Supply



Features:

- Compact size, light weight
- Universal AC Input
- High efficiency and low operation temperature
- Protections: Shot circuit/ Overload/ Over Voltage
- Soft-start current can reduce the AC input impact effectively
- Suitable for LED lighting and moving sign applications
- 100% full load burn-in test
- 2 years warranty

Block Diagram



Specifications:

Output Specifications

Item	HTC-12V120W		
Output voltage	12V±0.5%	Rated Current	10A
Rated Power	120W	Current Range	0-10A
Voltage Tolerance	±0.1%	Ripple and Noise(max)Note.2	120mVp-p
Load Regulation	±0.5%	Line Regulation	±0.5%
Hold up time(Typ.)	50ms/230VAC 16ms/115VAC at full load	Efficiency	>80%

Input Specifications

Voltage Range	100-264V	Frequency Range	47~63Hz
Setup,Rise time note.6	500ms 20ms/230VAC 500ms20ms/115VAC at full load(for 11.6~12.4V);500ms 20ms/230VAC 500ms20ms/115VAC at full load(for 11.6~12.4V)		
AC Current	1.74A/115V 0.87A/230V		
Inrush Current (max.)	Cold star 4.2A/115V 2.1A/230V		
Leakage Current	0.5mA/250VAC		

Protection

Over Current	105 ~ 150% rated output power		
	Protection type: Hiccup mode, recovers automatically after fault condition is removed		
Over Voltage	13.8~16.2V	27.6~32.4V	
	Protection type: Shut down o/p voltage, re-power on to recover.		
Short Circuit	Auto Recover		
Protection grade	IP20		

Environment

Working Temp	-25~40°C Refer to output load derating curve	Working Humidity	20~95% RH-no condensation
Storage Temp/Humidity	-40~+80°C, 10~95% RH	Temp.Coefficient	±0.03%/°C(0~50°C)
Vibration Frequency	10~500Hz, 2G 10min./1 cycle, period for 60min. each long X, Y, Z axes.		

Reference Standards

Safety Standard	UL60950 879 1310 Class 2, CAN/CSA C22.2 No.222-M91, IP67 approved, Design refer to TUV EN61347-2-13		
Withstand Voltage	I/P-O/P:3KVAC		
Isolation Resistance	I/P-O/P:>100M Ohms / 500VDC / 25°C / 70% RH		
EMI Condition and Radiati	Compliance to EN55022(CISPR22)Class B		
Harmonic Current	Compliance to EN61000-3-2,-3		
EMC Immunity	Compliance to EN61000-4-2,3,4,5,6,8,11; ENV50204, EN55024, light industry level, criteria A		

Others

MTBF	732Khrs min. MIL-HDBK-217F (25°C)		
Housing	Aluminum		
Cooling	Convection		
Product Dimension	188*46*36mm		
Product Weight	0.26kg		
Packing	1 PC in a box, 50 boxes in a Carton		